



# **NOKTON 60mm F0.95 Micro Four Thirds**

INSTRUCTION MANUAL



COSINA CO., LTD.

Apr 2020, Ver 1.0

Voigtländer Micro Four Thirds-mount lenses are all metal construction with precise focusing even at full aperture. Short Minimum Focus Distance allows macro shooting with smooth bokeh. All lenses in this series cover the image circle of Micro Four Thirds sensors with full resolution even when wide open.

### **Features of Voigtländer Micro Four Thirds-mount lenses**

- Micro Four Thirds Mount
- Latest lens construction with High Refractive Index Glass
- Metal Lens Barrel for long life
- Smooth focus ring for precise focusing
- 10 blades round aperture for smooth Bokeh

## Tips for lens care and safety

These tips are to protect the user from injury or damaging the lens.



**WARNING**

If the user ignores this warning sign and uses the equipment the wrong way serious injuries and even death might be the result.



**CAUTION**

If the user ignores this caution sign it might result in injuries and damage the equipment.

---



**WARNING**

Never look directly at the sun with a telephoto lens as this can damage your eyes.



**CAUTION**

Keep the lens, camera and accessories out of reach of children.



**CAUTION**

Store the lens away from direct sunlight and always store the lens with lens-cap on. Failure to do so can create a fire hazard.

---

Never touch the lens surface. In case it is dirty or dusty use commercial lens cleaner or appropriate lens cleaning cloth.

- \* This lens can be mounted on the camera which is based on the Micro Four Thirds System lens mount.
- \* This lens is a manual focusing lens without electronic interface. Focusing is manual by setting the camera to "M mode"/ "Manual mode" or "A mode"/ "Aperture priority mode". Please note that other shooting modes may not work properly.
- \* Manual focusing can be more precise by enlarging the image on LCD monitor. Please refer to the instruction manual of your camera for how to enlarge the subjects on LCD monitor.
- \* In order to use this lens, please set the camera as follows.
  - set "Shoot W/O lens" to "ON" (for Panasonic's cameras only)
  - set focusing mode of the camera to "MF"Please refer to the instruction manual of your camera for how to set the mode.
- \* When using the lens on OLYMPUS E-P1, E-P2, E-PL1, and E-PL1s please set the exposure mode to "Center-weighted metering" or "Spot metering". Proper exposure may not be achieved if setting is set at "Digital ESP metering".
- \* Owing to the fact that this is an ultra fast lens, the depth of field is extremely shallow when it is used at wide open aperture or close to it. Change of ambient temperature can affect the focusing. For compensation, you can focus slightly beyond infinity. It is recommended that you use the focus confirmation which is available on most Micro 4/3 cameras.

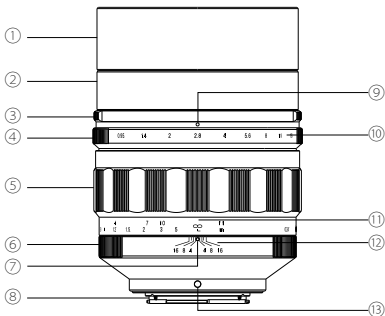
\* Micro Four Thirds is a registered trademark.

\* The descriptions and company name in this manual are registered trademarks.

## Description of Parts

---

- ① Lens Hood
- ② Filter Ring
- ③ Aperture Control Ring
- ④ Aperture Ring
- ⑤ Focusing Ring
- ⑥ Depth of Field Ring
- ⑦ Distance Index
- ⑧ Mount
- ⑨ Aperture Index
- ⑩ Aperture Scale
- ⑪ Distance Scale
- ⑫ Depth of Field Scale
- ⑬ Mount Index



## ● How to attach/detach the lens

Please refer to the instruction manual for your camera for how to attach/detach the lens.

\* Please make sure to set the power of the camera to "OFF".

Please hold Depth of Field Ring ⑥ to attach/detach the lens. To attach/detach the lens while holding other parts of the lens barrel can damage the lens.

## ● How to attach/detach Lens Hood

Screw the Lens Hood ① to the front of the lens.

If the hood is difficult to unscrew, trying to unscrew it by force makes the hood warped and the situation worse. Please slightly push the rim of the hood towards the lens and then turn it.



## ● Attaching Filter

1. Screw the filter (Ø77mm) to the front of the lens.
2. Screw the Lens Hood ① into the thread of the filter when using the Lens Hood ① together with the filter.

\* Do not screw the filter into the thread of the Lens Hood ①. This may cause vignetting.

## ● Selective Aperture Control System

You can choose two modes – with or without Click Stops - on the Aperture Control Ring.

1. Push the Aperture Control Ring ③ towards the Aperture Ring ④ .
2. Turn the Aperture Control Ring ③ 180 degrees.
3. Make sure to align the 2 indexes ⑦ and ⑨ .

\* If the white mark on the Aperture Control Ring ③ is in line with the indexes, the lens is in Click Stop-mode. The yellow mark indicates the Clickless-mode.

## ● Specifications

Product Name	NOKTON 60mm F0.95
Focal Length	60mm
Maximum Aperture	F0.95
Minimum Aperture	F16
Lens Construction	8 groups 11 elements
Angle of View	21.5°
Aperture Blade	10
Minimum Focus	0.34m
Macro Ratio	1:4
Filter Size	Ø77mm
Maximum Diameter	Approx. Ø82.5mm
Length	Approx. 87.7mm
Weight	Approx. 860g
Mount	Micro Four Thirds-mount
Other	Selective Aperture Control System
Supplied Accessory	Front Cap, Rear Cap, Lens Hood

\* Specification and information is subject to change without prior notice.