



# **VM-X Close Focus Adapter**

INSTRUCTION MANUAL

Voigtländer mount adapters are designed to be used with Voigtländer lenses on various types of camera mounts.

## Tips for care and safety

These tips are to protect the user from injury or damaging the product.



**WARNING**

If the user ignores this warning sign and uses the equipment the wrong way serious injuries and even death might be the result.



**CAUTION**

If the user ignores this caution sign it might result in injuries and damage the equipment.

---



**CAUTION**

Keep the mount adapter and its accessories out of reach of children.



**CAUTION**

Do not leave the product in hot or cold temperature. It might result in injuries and also damage the product.



**CAUTION**

Do not let the mount adapter ring support the whole weight of lens and camera. When using big and heavy lens, hold both camera and lens while in operation or transportation.

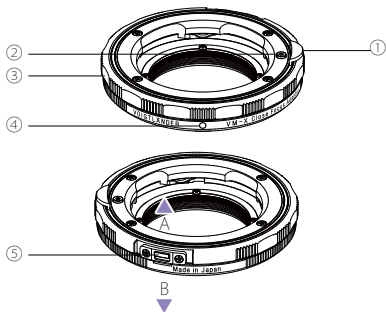
---

Never touch the inside of the mount adapter. In case it is dirty or dusty use blower or soft brush.

## Description of Parts

---

- ① Release button
- ② Lens mount index
- ③ Focus ring
- ④ Camera mount index
- ⑤ Infinity lock lever



## ● About the VM-X Close Focus Adapter

The VM-X Close Focus Adapter features a built-in 4 mm helicoid that enables the lens to be focused beyond their original minimum focus distance.

\*Please note that actual minimum focus distance varies, depending on the lens used.

This Close Focus Adapter allows Voigtländer VM mount lenses, Zeiss ZM mount lenses, and Voigtländer L mount lenses fitted with an M/L adapter ring to be mounted on an X mount camera. The list of checked lenses (<http://www.cosina.co.jp/seihin/voigtlander/english/e-accessory/index.html/>) shows lenses that are confirmed to work with the Close Focus Adapter without interference occurring between lens and the Close Focus Adapter or camera, but the list is not a guarantee of image quality. Please note that warranty shall be voided and no manufacturer responsibility will be assumed if a lens other than listed lenses is used with this Close Focus Adapter. Using a lens not on this list may damage the camera, lens adapter or the lens itself. In addition, depending on the combination of lens and camera body, low resolution around the edges of the image or an undesirable colorcast may occur.



The list of checked lenses.

<http://www.cosina.co.jp/seihin/voigtlander/english/e-accessory/index.html>

### ● **Attaching the Adapter to the camera body**

Line up the lens index mark on the camera body with the camera mount index ④ on the Adapter and turn the Adapter clockwise until it locks.

### ● **Attaching the lens to the Adapter**

Line up the index mark on the lens with the lens mount index ② on the Adapter and turn the lens clockwise until it locks.

### ● **Removing the lens from the Adapter**

Press the release button ① on the Adapter and turn the lens counter-clockwise.

### ● **Removing the Adapter from the camera body**

Press the lens release button on the camera body and turn the Adapter counter-clockwise.

## ● Using the Adapter

Capturing images using the focus range of the attached lens

We recommend using the adapter with the focus ring ③ in the locked position.

Turn the focus ring ③ clockwise until it stops, and then slide the infinity lock lever ⑤ in direction B in the figure to lock the focus ring ③ thus preventing it from rotating.

This prevents unintended focus shift from occurring when using scale focusing by the distance markings on the lens.

Capturing images at a closer than the minimum focusing distance of the lens

Set the focus position on the lens to the minimum focusing distance, then focus by turning the focus ring ③ on the Adapter after unlocking the infinity lock lever ⑤ on the adapter by sliding it in direction A as in the figure.

## ● Specifications

Product Name	VM-X Close Focus Adapter
Covered Image Size	APS-C
Helicoid Extention	4mm
Maximum Diameter	Approx. Ø62.7mm
Weight	Approx. Ø75g
Other	Infinity Lock System

\* Specification and information is subject to change without prior notice.